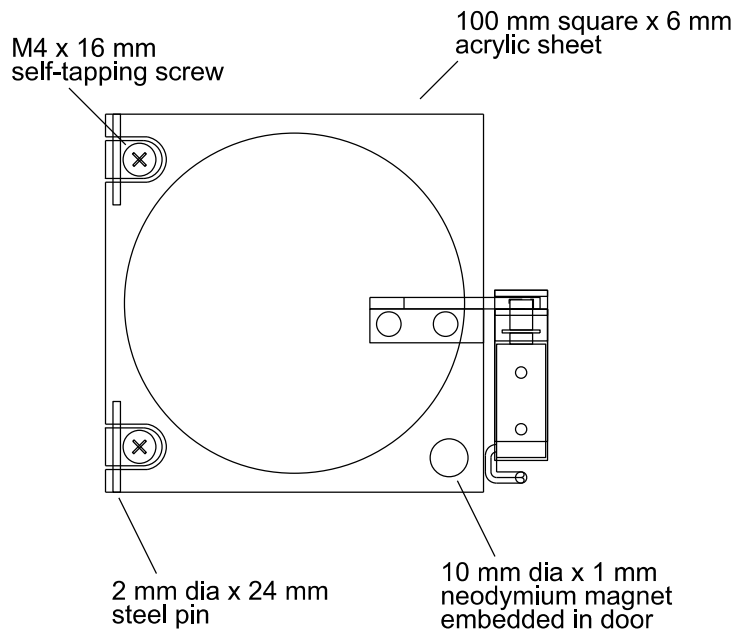
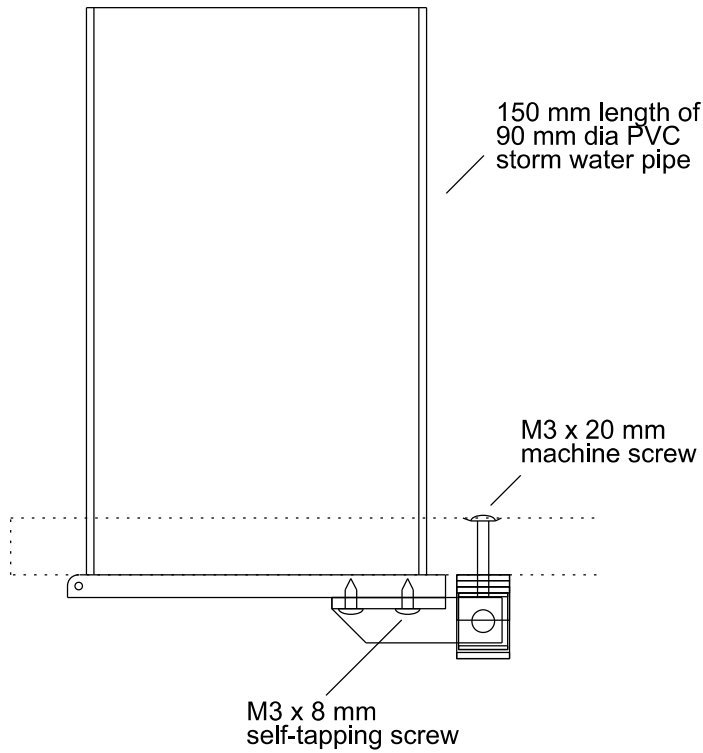


Possum Feeder Door Mechanism V1.0

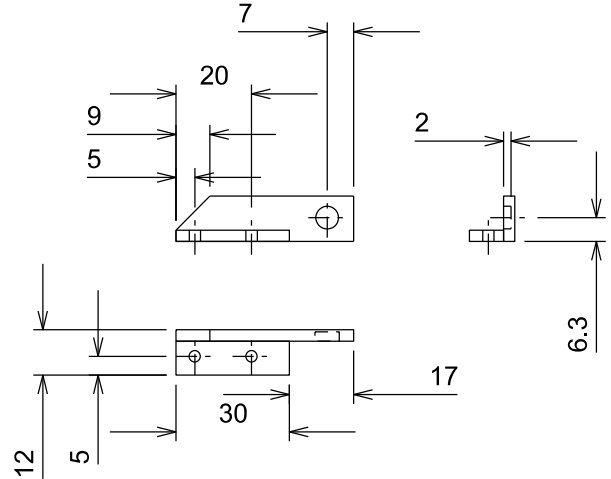
© (Copyleft) Possum Dreaming 2015

Door Mechanism



Door Catch

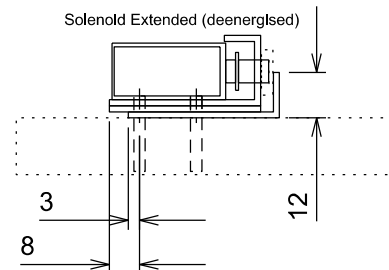
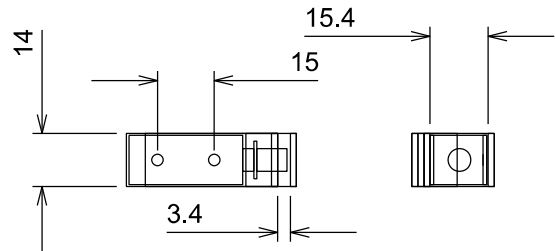
Fabricated from section of 12 mm x 12 mm x 3 mm aluminium angle



Solenoid Latch

Fabricated from the following aluminium sections:

- 40 mm x 25 mm x 1.6 mm angle
- 40 mm x 12 mm x 1.6 mm angle
- 40 mm x 1.6 mm strip



Solenoid Retracted (energised)

